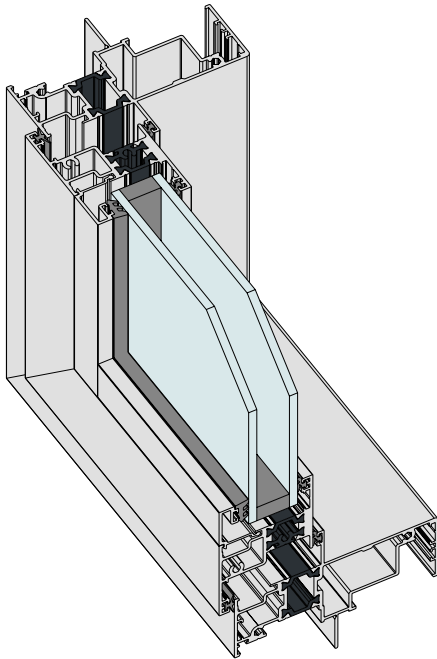
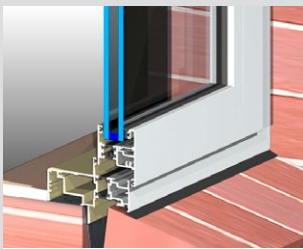


DESIGNER SERIES ThermalHEART® | SERIES 726
THERMALLY BROKEN AWNING WINDOW

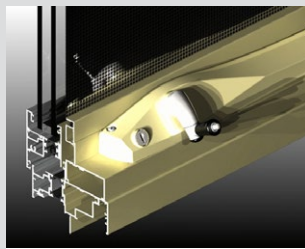


KEY FEATURES

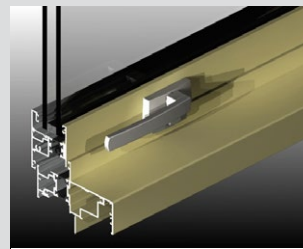
- Series 726 awning window is designed to suit Australian building-in conditions. Nailing fins (weather bars), building-in lugs and the PVC sill flap assist in installation.
- Series 726 incorporates ThermalHEART® technology giving a true wide thermal break between the outside and inside faces. ThermalHEART® systems perform up to 32% better than traditional aluminium windows and doors.
- The extra strong sash allows large opening windows to be fabricated for high wind load areas.
- The bold clean frame gives a contemporary appearance with sharp square external glazing beads standard.
- Awning sashes can be fitted with cam handles, manual chain winders, concealed electric winders or Truth™ hardware. The winder options suit fixed flyscreen installation.
- The window is compatible (appearance, strength and performance) with the high performance ThermalHEART® hinged, sliding and bi-fold doors.
- ThermalHEART® will accept insulating glass units up to 32mm thick. The typical IGU thickness is 24mm.



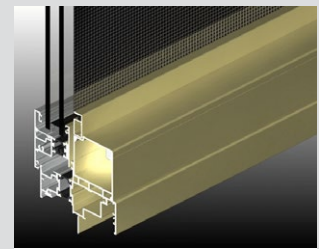
Double glazing is used as standard to obtain maximum thermal performance. Dual colour option available as shown above.



Can be fitted with manual winder and keyed to match other Vantage window locks. Corrosion resistant cover and base, along with stainless steel chain to withstand the harshest environments.



ICON™ furniture in 316 marine grade stainless steel is available.



Awning sashes can be opened and closed with optional concealed electric winders. The window box will also accept fly screens as shown above.

GENERAL

NB: Maximum panel height and width of Awning sashes are interdependent.

Max Frame Height*

A/ 2100mm
C/ 1200mm

Max Panel Width*

A/ 1550mm
C/ 800mm

Max Glass Thickness

32mm

Frame Depth

100mm

ENERGY

UW Range
2.6-6.0

SHGC Range

0.18-0.47

WEATHER

Maximum Water
600 Pa.

ACOUSTICS

8.5mm VLam Hush™
/10/6.5 VLam Hush™
Rw 41 (-1;-5)

6.5mm VLam Hush™
/12/6 Tgh
Rw 40 (-1;-5)



*Dimensions subject to individual site conditions. A = Awning Configuration. C = Casement Configuration. BAL-40 compliance may limit glass options. Maximum glass size for BAL-40 products is 5m². Casement Configuration is not BAL-40 compliant. vantagealuminium.com.au/726